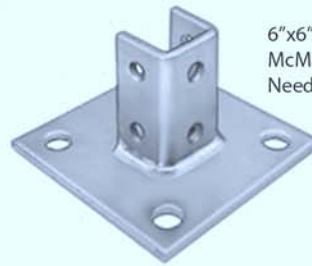
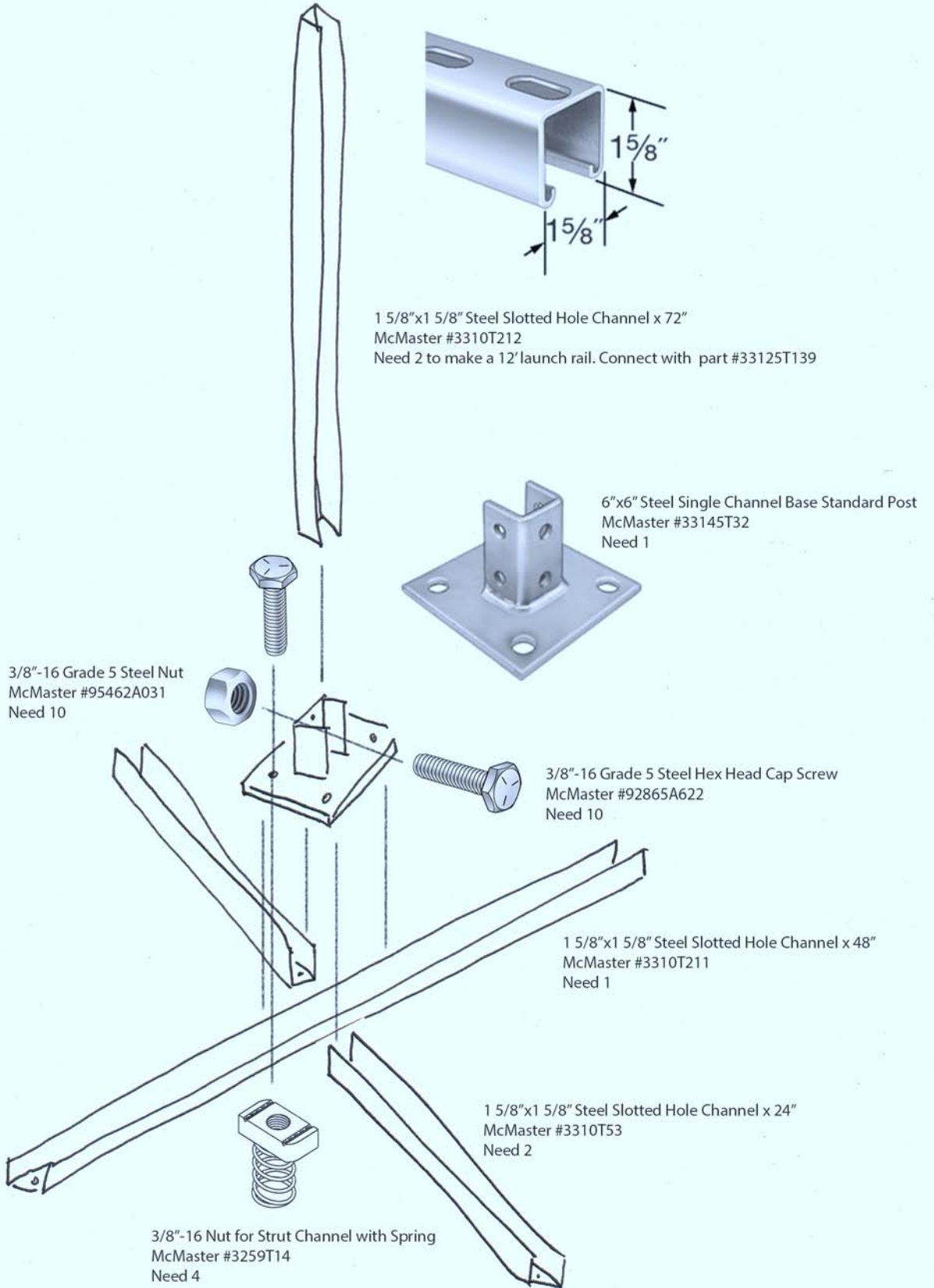


1 5/8"x1 5/8" Steel Slotted Hole Channel x 72"
McMaster #3310T212
Need 2 to make a 12' launch rail. Connect with part #33125T139



6"x6" Steel Single Channel Base Standard Post
McMaster #33145T32
Need 1



3/8"-16 Grade 5 Steel Nut
McMaster #95462A031
Need 10

3/8"-16 Grade 5 Steel Hex Head Cap Screw
McMaster #92865A622
Need 10

1 5/8"x1 5/8" Steel Slotted Hole Channel x 48"
McMaster #3310T211
Need 1

1 5/8"x1 5/8" Steel Slotted Hole Channel x 24"
McMaster #3310T53
Need 2

3/8"-16 Nut for Strut Channel with Spring
McMaster #3259T14
Need 4